

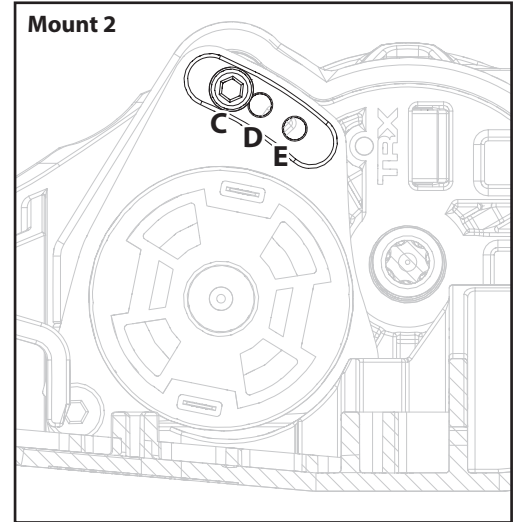
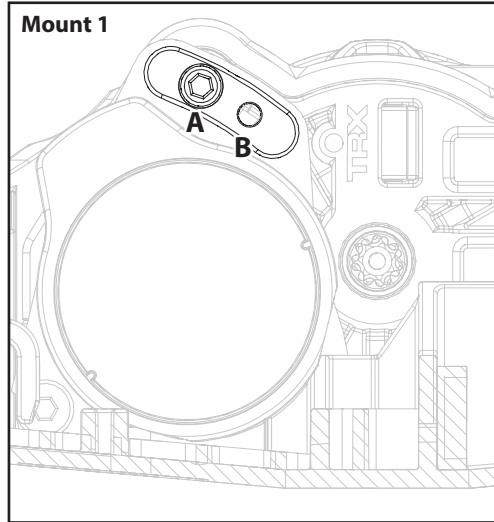


# Fixed Gear Adapter Installation Instructions

Covers Parts #6790

The following gear ratios are only recommended for the listed models with the stock power system and standard tires.

Motor Screw Position in Fixed Gear Adapter for Setting Gear Mesh				
Pinion Gear	Spur Gear			
	50	52	54	
10	-	-	C***	
11	-	-	A*	
12	-	C	D††	
13	-	A	D†	
14	C	-	-	
15	A	D	-	
16	-	-	-	
17	D	-	B**	
18	-	-	E	
19	-	B	-	
20	-	E	-	



\*Out of box gearing - Rustler® 4X4 VXL

\*\*Optional high speed gearing - Rustler® 4X4 VXL

\*\*\*Out of box gearing - Rustler® 4X4 (with XL-5 & Titan® 12T motor)

†Out of box gearing - Slash® 4X4 (with Low-CG chassis)

††Out of box gearing - Rustler® 4X4 Brushless (with BL-2s™ & 3300 motor)